



The **IK MULTI 12 BS backpack sprayer** offers a professional spraying solution to achieve optimum results in a wide range of sectors. IK MULTI 12 BS is designed for maximum strength and versatility with the most aggressive chemicals. This sprayer is particularly resistant to acids.



Sectors in which to use

- Building
- Cleaning and disinfection
- Industry and maintenance
- Automotive and detailing
- Pest control
- Epidemics & virus control
- Air conditioning (HVAC)

Products with which to use

- optimal** Disinfectants, neutral products, acids
- limited** Solvent-based pesticides, alcohols, oils, solvents and petroleum by-products



**IK MULTI/
IK MULTI Pro**

Oils, solvents and petroleum by-products	L
Acids	✓
Alkalis and ketones	✗
Alcohols	L
Disinfectants	✓
Solvent based pesticides	L
Neutral products	✓

L Optimal ✓ Limited ✗ Not valid

Technical information

Technical information	MULTI 12 BS
HOSE	1.3m / 51 inches
STANDARD NOZZLES	Adjustable conical nozzle and fan
LANCE	36 cm / 14 inches fibreglass
USEFUL CAPACITY	12.8l. - 3.37 U.S. Gals.
TOTAL CAPACITY	12.8l. - 3.37 U.S. Gals.
LITRES/MIN. 3 BAR	0.7l/min - 0.18 gal/min
GROSS WEIGHT	3.58 kg - 7.88 lbs.
NET WEIGHT	2.96 kg - 6.51 lbs.

Logistics data

Logistics data	MULTI 12 BS
CODE	8.39.70.1
EAN	84.14685.20052.5
CONDITIONING	1 unit
UNITS PER PALLET	18 units
DIMENSIONS PER PALLET	1200 x 800 x 1180

Functional information



Transport handle



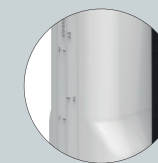
Clamp for level



Tank lid with anti-drop



Large opening with filter for easy filling and cleaning



Translucent tank with level indicator



Adjustable padded straps



ACCESSORIES Personalize your sprayer adapting it to your application needs (height, hard-to-reach areas...)



FLEX PIPE 0.5 M
Reference 8.38.77.813

A flexible pipe of 0.5 m for applications in places that are hard to reach. Do not use it with acid or corrosive products.



FLEX PIPE 0.25 M
Reference 8.38.77.810

A flexible pipe of 0.25 m for applications in places that are hard to reach. Do not use it with acid or corrosive products.



3.2 M / 10,5 FEET TELESCOPIC LANCE
Reference 8.35.40.913

A fiberglass lances of 3.2 m and 5.4 m for high spraying. Adaptable to sprayers and compression sprayers (5l to 20l.). Do not use with acids or solvents.



5.4 M / 17,7 FEET TELESCOPIC LANCE
Reference 8.35.40.915



EXTENSION 0.5 M
Reference 8.34.60.943

A fiberglass extension of 0.5 m for horizontal and vertical applications in places that are hard to reach. Light, manoeuvrable and easy to assemble.



6-METER HOSE
Reference 8.26.71.836

The 6 metre reinforced 12 mm (diameter) hose is the perfect and easy to assemble complement for your IK sprayers. Thanks to it, you will be able to reach the most distant places with greater ease of movement, avoiding pinching. It is made of a material that is resistant to both acids and foaming agents, as well as to most chemicals in the professional cleaning sector.



1.5M REINFORCED PVC HOSE
Reference 8.26.71.870

12mm diameter hose. It is easy to manoeuvre and chemically resistant.



IK HANDLE (INOX)
Reference 8.26.71.872

Versatile handle adaptable to your application needs.



FIBREGLASS TUBE WITH NUTS 47CM
Reference 8.26.71.873

Robust and versatile tube lance of 47cm.

MAINTENANCE KITS Keep your sprayer always ready and get maximum performance



IK MULTI 12 BS MAINTENANCE KIT
Reference 8.39.70.874



ROUND GASKET AN-5 N. 607	2.23.16.905
LOCKING WASHER N. 1034	2.39.47.410
ROUND JOINT AN-8 N. 614	2.23.16.908
VITON SEAL N. 120	8.39.11.305
STAINLESS STEEL BALL Ø12, N. 119	2.20.08.902



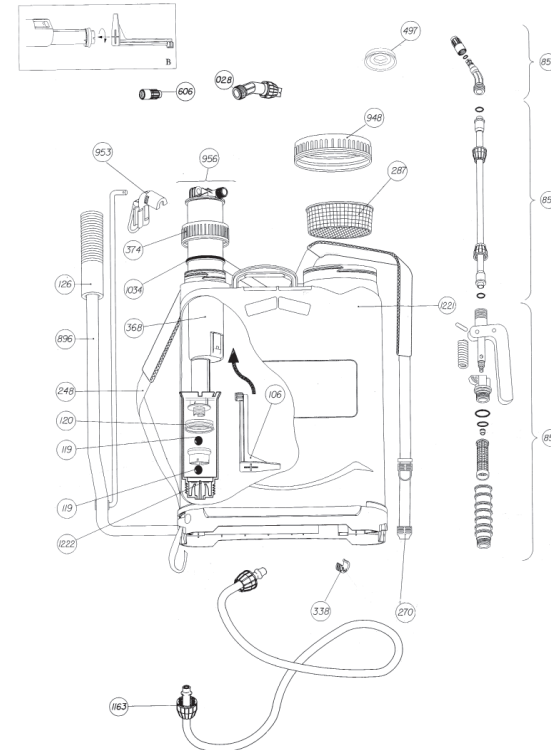
IK MULTI 6-9-12 12BS / PRO 9-12 NOZZLE KIT
Reference 8.26.71.871



FAN ELBOW	8.34.44.815.1
ELBOW WITH ADJUSTABLE NOZZLE	8.38.11.803



SPARE PARTS Extend the service life of your sprayer easily replacing parts



N.	COD.	Q	SPARE PARTS NAME
028	8.34.44.815.1	1	COMPLETE ELBOW
106	8.39.47.306	1	AGITATOR
119	2.20.08.902	2	STAINLESS STEEL BALL Ø 12
120	8.39.11.305	1	VITON SEAL
126	8.39.43.304.1	1	GRIP
248	8.39.41.364	1	STRAP
270	8.39.41.365	1	STRAP WITH HOOK
287	8.39.06.303	1	TANK FILTER
338	8.39.43.327	1	BASE BUSHING
368	8.39.41.302	1	PRESSURE CHAMBER
374	8.39.57.308	1	GUIDE LID
497	8.39.41.305	1	SYNTHETIC SEAL
856	8.38.11.821	1	COMPLETE HANDLE
857	8.38.11.822	1	COMPLETE LANCE
858	8.38.11.828	1	LANCE TUBE
859	8.38.11.803	1	ELBOW WITH NOZZLE
896	8.39.51.802	1	COMPLETE LEVER
948	8.39.59.602	1	TAN COVER AND VALVE
953	8.39.41.811	1	LANCE HOOK
956	8.39.70.804	1	COMPLETE CHAMBER
1034	8.49.41.410	1	LOCKING WASHER
1163	8.38.11.835	1	HOSE
1221	8.39.70.850	1	TANK
1222	8.39.70.602	1	CYLINDER WITH BALL
	8.39.70.210	1	INSTRUCTION SHEET
	8.39.70.211	1	PACKAGING