



The **IK ALK 1,5 sprayer** is designed to spray a wide variety of chemicals in the cleaning and disinfection industry. It offers a robust and resistant design to be used in cleaning work in food processing companies, kitchens, ovens, floors, glass, as well as graffiti removal on walls. Especially suitable for alkaline substances, alcohols and acetones.



### Sectors in which to use

- Building
- Cleaning and disinfection
- Automotive and detailing
- Epidemics & virus control

### Products with which to use

- optimal** Disinfectants, alcohols, alkalis and ketones
- limited** Neutral products

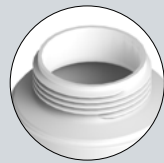
### Functional information



Safety valve with depressurisation option



Protective sleeve for valve chamber



Large opening easy filling



Translucent tank with level indicator



	IK ALKALINES
Oils, solvents and petroleum by-products	✗
Acids	L
Alkalis and ketones	✓
Alcohols	✓
Disinfectants	✓
Solvent based pesticides	✗
Neutral products	✓

L Optimal   ✓ Limited   ✗ Not valid

### Technical information

Technical information	ALK 1.5
VALVE	Tared at 2,5 bar / 36 psi depressurizable
STANDARD NOZZLES	Adjustable conical nozzle and fan
USEFUL CAPACITY	1 L - 35 Oz
TOTAL CAPACITY	1.50 L - 50 Oz
LITRES/MIN. 3 BAR	0.7 l/min. - 0.18 gal/min.
GROSS WEIGHT	0.60 kg - 1.32 lbs.
NET WEIGHT	0.46 kg - 1.02 lbs.

### Logistics data

Logistics data	ALK 1.5
CODE	8.17.77
EAN	84.14685.10177.8
CONDITIONING	6 units
UNITS PER PALLET	90 units
DIMENSIONS PER PALLET	1200 x 800 x 960





## ACCESSORIES



Personalize your sprayer adapting it to your application needs (height, hard-to-reach areas...)



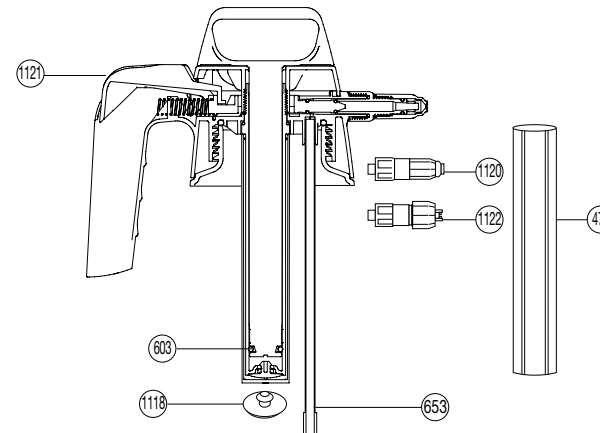
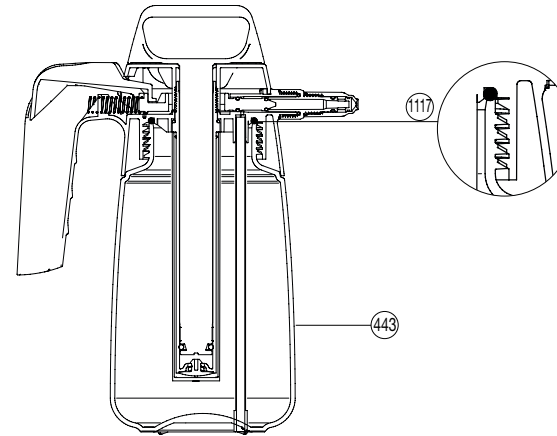
**CONTENT IDENTIFIER IK 1.5/2**  
Reference 8.16.71.900  
Colour caps to identify deposit content between devices of the same line.



## SPARE PARTS



Extend the service life of your sprayer easily replacing parts



N.	COD.	Q	SPARE PARTS NAME
443	8.17.71.301	1	TANK
474	8.17.71.305	1	CYLINDER GUARD
603	2.23.99.439.16	1	ROUND GASKET Ø15
653	8.28.27.320	1	TUBE WITH FILTER
1117	2.23.17.990	1	ROUND GASKET
1118	8.38.05.314.3	1	CHAMBER VALVE
1120	8.17.77.601	1	M-12 ADAPTER WITH ADJUSTABLE CONICAL NOZZLE
1121	8.17.77.801	1	COMPLETE CHAMBER
1122	8.17.77.602	1	M-18 ADAPTER WITH FAN NOZZLE
	8.17.77.200	1	INSTRUCTION SHEET
	8.17.77.201	1	PACKAGING