

Versatile Professional 13 L Stainless Steel Sprayer especially designed for: Paint Protection Film, Window Tinting, Wrapping.
Its ergonomic design ensures optimal comfort and control during installation tasks, reducing operator fatigue and enhancing efficiency.
Built from premium-grade materials, such as corrosion resistant tank and pump, and high-density polypropylene shut-off valve to avoid accidental damages to the bodywork.



Sectors in which to use

- Automotive and detailing
- Paint Protection Film
- Window Tinting
- Wrapping

Functional information



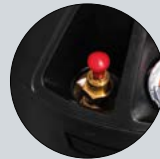
Adjustable cone nozzle for fine mist or straight jet spraying. High density shut-off valve.



Even fan nozzle for wider spraying. High density shut-off valve.



Plastic handle with a placing support parking place.



6 bar Safety release valve.



Pressure gauge.



Schrader valve for compressed air connector.



4.5 m chemical resistant hose. (6 meter standard hose available).



Stable base with foot support while pumping action.



Premium-grade corrosion free Stainless-Steel tank and pump.

Technical information	
Technical information	IK WINDOW TINTING & PPF
VALVE	Tared at 6 bar - 87 psi despresurizable
HOSE	6 m
STANDARD NOZZLES	Adjustable conical nozzle and fan
USEFUL CAPACITY	13 L. - 3.50 US gal
TOTAL CAPACITY	15 L. - 3.96 US gal
GROSS WEIGHT	5.5 Kg - 12.1 lb
NET WEIGHT	5 Kg - 11 lb

Logistics data	
Logistics data	IK WINDOW TINTING & PPF
CODE	83371
EAN	84.14685.10224.9
CONDITIONING	1 unit
UNITS PER PALLET	15 units
DIMENSIONS PER PALLET EU	1200 x 800 x 870



ACCESSORIES



Personalize your sprayer adapting it to your application needs (height, hard-to-reach areas...)



6-METER HOSE
Reference 82671836

The 6 metre reinforced 12 mm (diameter) hose is the perfect and easy to assemble complement for your IK sprayers. Thanks to it, you will be able to reach the most distant places with greater ease of movement, avoiding pinching. It is made of a material that is resistant to both acids and foaming agents, as well as to most chemicals in the professional cleaning sector.



BATTERY COMPRESSOR
Reference 82678900

18v battery-powered compressor. Using the compressor, the device will quickly pressurize up to 2.5bar /36 psi without any effort for the user. Thanks to its large air flow, it can work continuously while maintaining pressure.



18V IK LI-ION BATTERY
Reference 82678816



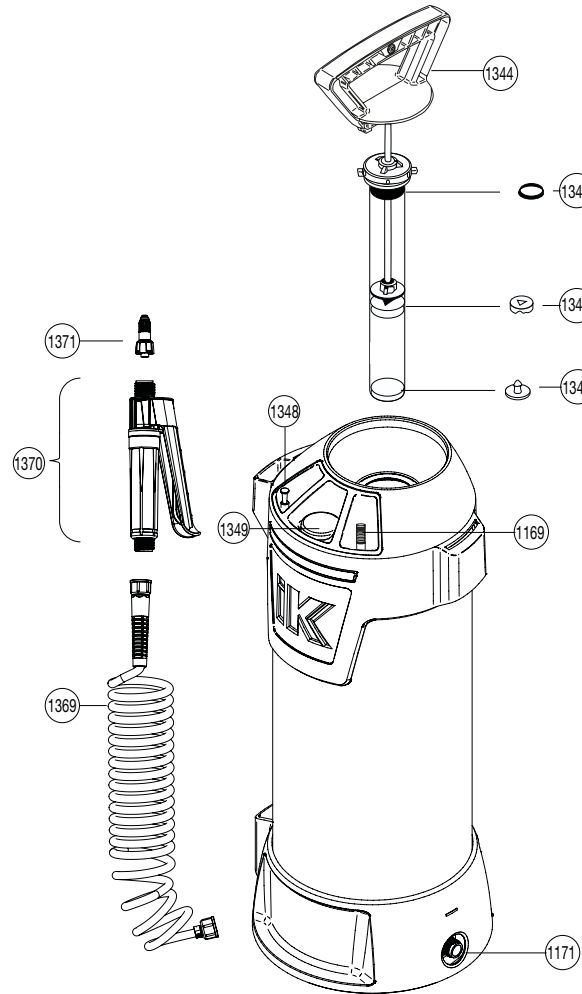
SPIRAL HOSE
Reference 83371836



SPARE PARTS



Extend the service life of your sprayer easily replacing parts



N.	COD.	Q	SPARE PARTS NAME
1169	83272604	1	AIR CONNECTOR
1171	83272605	1	COMPLETE ADAPTER
1344	83372601	1	PUMP COMPLETE
1345	83372312	1	O-RING
1346	83372313	1	COLLAR SEAL
1347	83372314	1	VALVE
1348	83372602	1	SAFETY VALVE
1349	83372603	1	PRESSURE GAUGE
1369	83371836	1	COMPLETE SPIRAL HOSE
1370	83371816	1	COMPLETE HANDLE ADAPTER WITH
1371	83371602	1	ADJUSTABLE CONICAL NOZZLE
	83371200	1	INSTRUCTION SHEET
	83371201	1	PACKAGING